

Series VNR Unidirectional valves

Ports of Thread version: M5, G1/8, G1/4, G3/8, G1/2, G3/4, G1
Dimensions of Tube/Tube version: Ø4; Ø6; Ø8; Ø10; Ø12



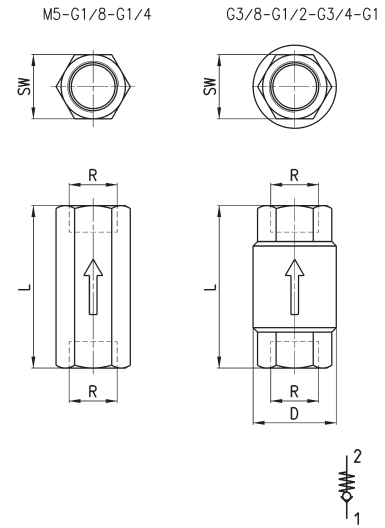
- » In-line mounting thanks to integrated fittings
- » Low operating pressures
- » Robust design, brass body
- » Version 6580 and 6510 in FKM with a wide range of chemical compatibility and operating temperatures extended.
- » Version for use with oxygen available

Series VNR unidirectional valves are available in the Thread or Integrated Fitting version. Thanks to their construction they operate at low pressures.

GENERAL DATA

Valve group	automatic valves
Construction	poppet-type
Materials	brass body stainless steel spring NBR/FKM seals (for version 6580)
Mounting	in any position
Dimensions thread version	M5, G1/8, G1/4, G3/8, G1/2, G3/4, G1
Dimensions tube version	Ø4; Ø6; Ø8
Operating temperature	0 °C ÷ 80 °C; NBR (with dry air -20 / +80 °C) FKM (with dry air - 20 / +200 °C)
Medium	filtered air without lubrication. If lubricated air is used, it is recommended to use ISO VG32 oil. Once applied the lubrication should never be interrupted.

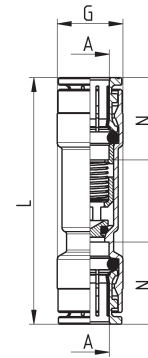
Series VNR unidirectional valves



DIMENSIONS							
Mod.	R	L	SW	D	Flow 6 bar $\Delta P1(Nl/min)$	Min. operating pressure (bar)	Max working pressure (bar)
VNR-205-M5	M5	25	8	9	50	1	10
VNR-210-1/8	G1/8	34	13	15	600	0.2	10
VNR-843-07	G1/4	43	17	20	1400	0.2	10
VNR-238-3/8	G3/8	55	23	34.5	3000	0.02	25
VNR-212-1/2	G1/2	58.5	27	34.5	5800	0.02	25
VNR-234-3/4	G3/4	65	33	41.5	8000	0.06	25
VNR-201-01	G1	74.5	40	48	13000	0.06	25

Series VNR unidirectional valves

New



Mod.	A	G	L	N	Flow 6 bar $\Delta P1(Nl/min)$	Min. operating pressure (bar)	Max operating pressure (bar)	Weight (g)
6580 4-VNR	4	9	40	14	85	0,5	10	13
6580 6-VNR	6	12	48	16	450	0,2	10	20
6580 8-VNR	8	14	52.5	17.5	900	0,2	10	30

